

WHIRLWIND MODEL 855 EDGE DELT SANDER

PARTS LIST - REV. L

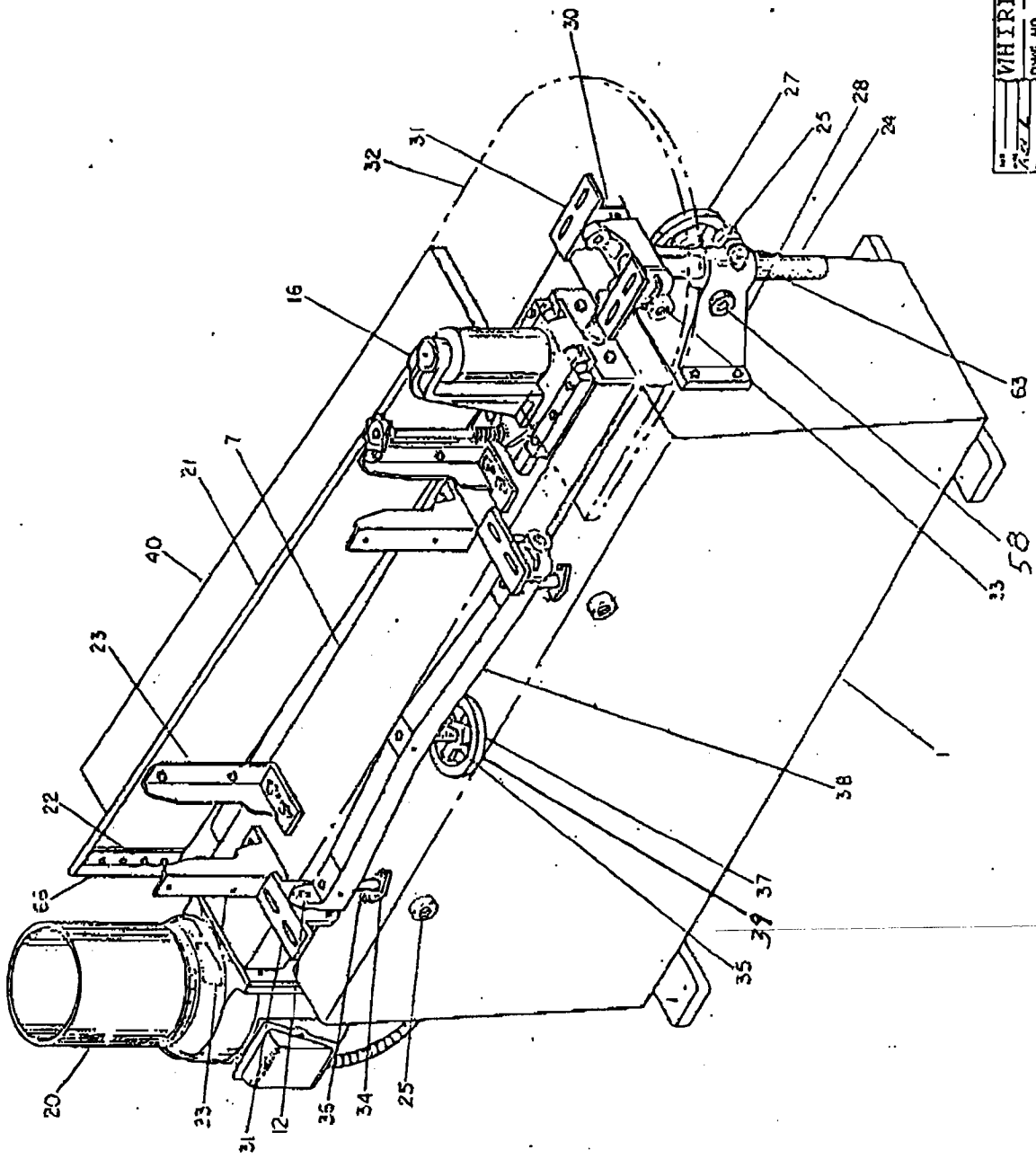
ITEM	PART	DESCRIPTION	QTY.
1.	855-1	BASE ASSEMBLY	1
2.	855-2	SHAFT ECCENTRIC	1
3.	855-3	STUD, CONNECTING	2
4.	855-4	CONNECTING PIN	2
5.	855-5	BUSHING	2
6.	855-6	CONNECTING ROD	2
7.	855-7	OSCELLATING BLOCK ASSEMBLY	1
9.	855-9	SCREW, TENSION ADJUSTING	1
10.	855-10	KNOB, TRACKING ADJUSTMENT	1
11.	855-11	GIB	2
12.	855-12	PIN, PIVOT	6
13.	855-13	SLIDE, TENSION	1
15.	855-15	SCREW, TILT ADJUSTING	1
16.	855-16	BRACKET, IDLER ROLLER	1
17.	855-17	ROLLER, IDLER	1
18.	855-18	SHAFT, IDLER	1
19.	855-19	END CAP	1
20.	855-20	ROLLER, DRIVE	1
21.	855-21	PLATEN	2
22.	855-22	RETAINER STRAP	4
23.	855-23	BRACKETS, PLATEN MTG.	4
24.	855-24	RACK	1
25.	855-25	CLAMPING KNOB	5
26.	855-26	GEAR, PINION	1
27.	855-27	HAND WHEEL, END TABLE	1
28.	855-28	MTG. BRKT., END TABLE	1
29.	855-29	HINGE PIN IDLER BRKT.	1
30.	855-30	SUPPORT, END TABLE	1
31.	855-31	PIVOT SUPPORT, TABLE	6
32.	855-32	TABLE, END	1
33.	855-33	CLAMPING KNOB, TILT	6
34.	855-34	BUSHING, GUIDE ROD	4
35.	855-35	SCREW, HEIGHT ADJUSTING	2
36.	855-36	GUIDE ROD	4
37.	855-37	HAND WHEEL, SIDE TABLE	2
38.	855-38	SUPPORT, SIDE TABLE	2
39.	855-39	BEARING, THRUST	2
40.	855-40	TABLE, SIDE	2
41.	1000-15	DOOR, FRONT	2
42.	1000-16	DOOR KNOB ASSY.	2
43.	855-43	DUST COVER	1
44.	855-44	RETAINER RINGS, IDLER BEARING	2
45.	855-45	MOTOR, DRIVE	1

WHIRLWIND MODEL 855 EDGE BELT SANDER

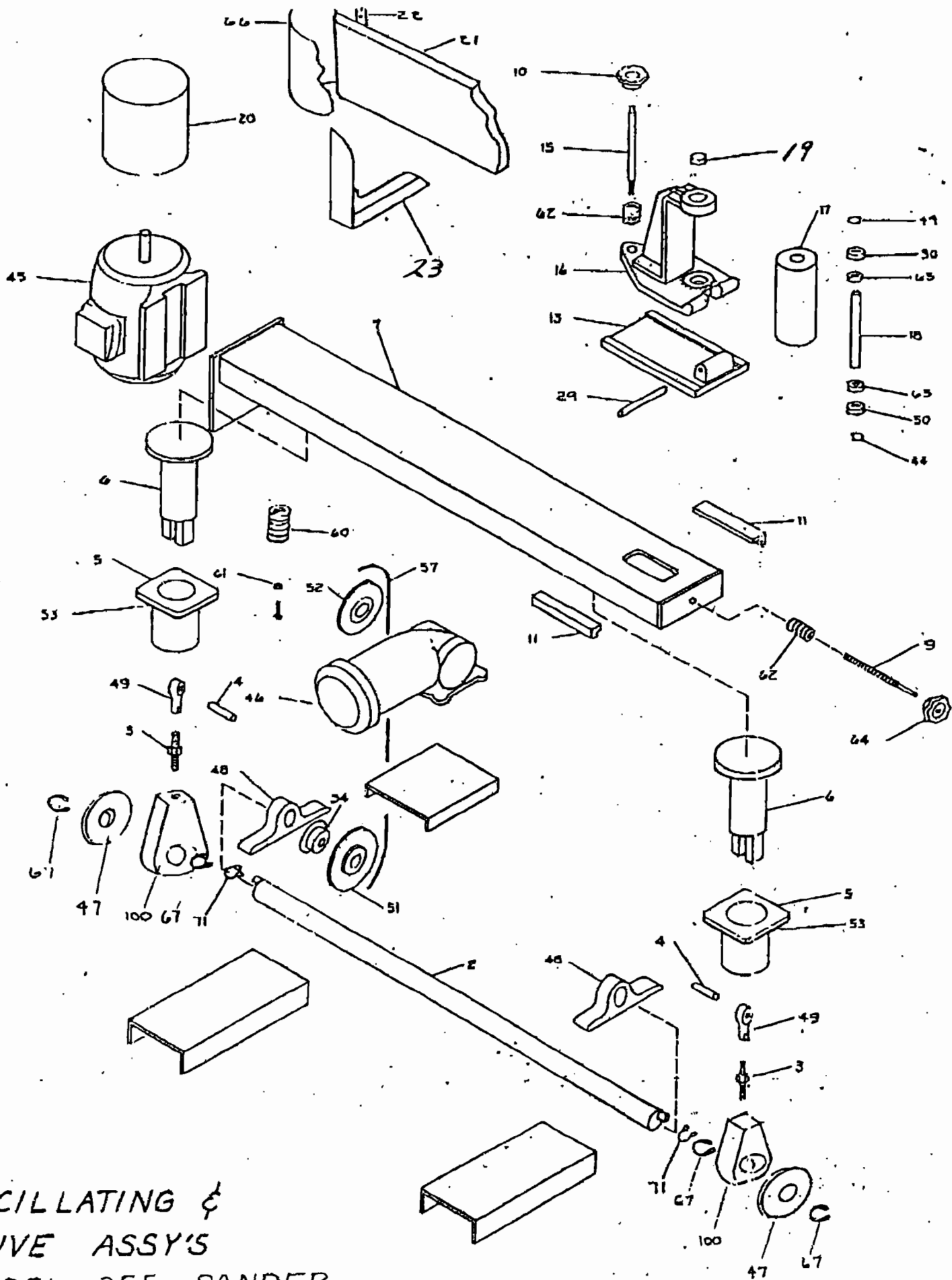
PAGE 2

PARTS LIST - REV. L

ITEM	PART	DESCRIPTION	QTY.
46.	855-46	MOTOR, GEAR	1
47.	1000-36	BEARINGS, ECCENTRIC	2
48.	855-48	BEARINGS, PILLOW BLOCK	2
49.	855-49	BEARING, ROD END	2
50.	855-50	BEARINGS, IDLER ROLLER	2
51.	855-51	PULLEY, WEB SHEAVE, ECCENTRIC SHAFT	1
52.	855-52	PULLEY, PHP SHEAVE, GEAR MOTOR	1
53.	855-53	GASKET	2
54.	855-54	BUSHING, PULLEY ECCENTRIC SHAFT	1
55.	855-55	SWITCH, DRIVE MOTOR 230 VOLT	1
		SWITCH, DRIVE MOTOR 460 VOLT	1
56.	855-56	SWITCH, OSCILLATOR	1
57.	855-57	"V" BELT	1
58.	855-58	PINION GEAR SHAFT	1
60.	855-60	SPRING (MED. PRESSURE)	1
61.	855-61	RETAINER, SPRING	1
62.	855-62	SPRING (MED. PRESSURE)	2
63.	855-63	LOCKING DEVICE	1
64.	855-64	KNOB, TENSION ADJUSTMENT	1
65.	855-65	SPACERS IDLER ROLLER	2
66.	855-66	GRAPHITE CLOTH	2
68.	855-68	HINGE PIN GUARD	1
69.	855-69	MTG. BRKT. GUARD	1/1
100.	855-100	ECCENTRIC BEARING HOUSING	2



WHIRLWIND	
71272	DWG NO. 548-07A
APPROVED	DATE
SANDER ASSY. 12/2	



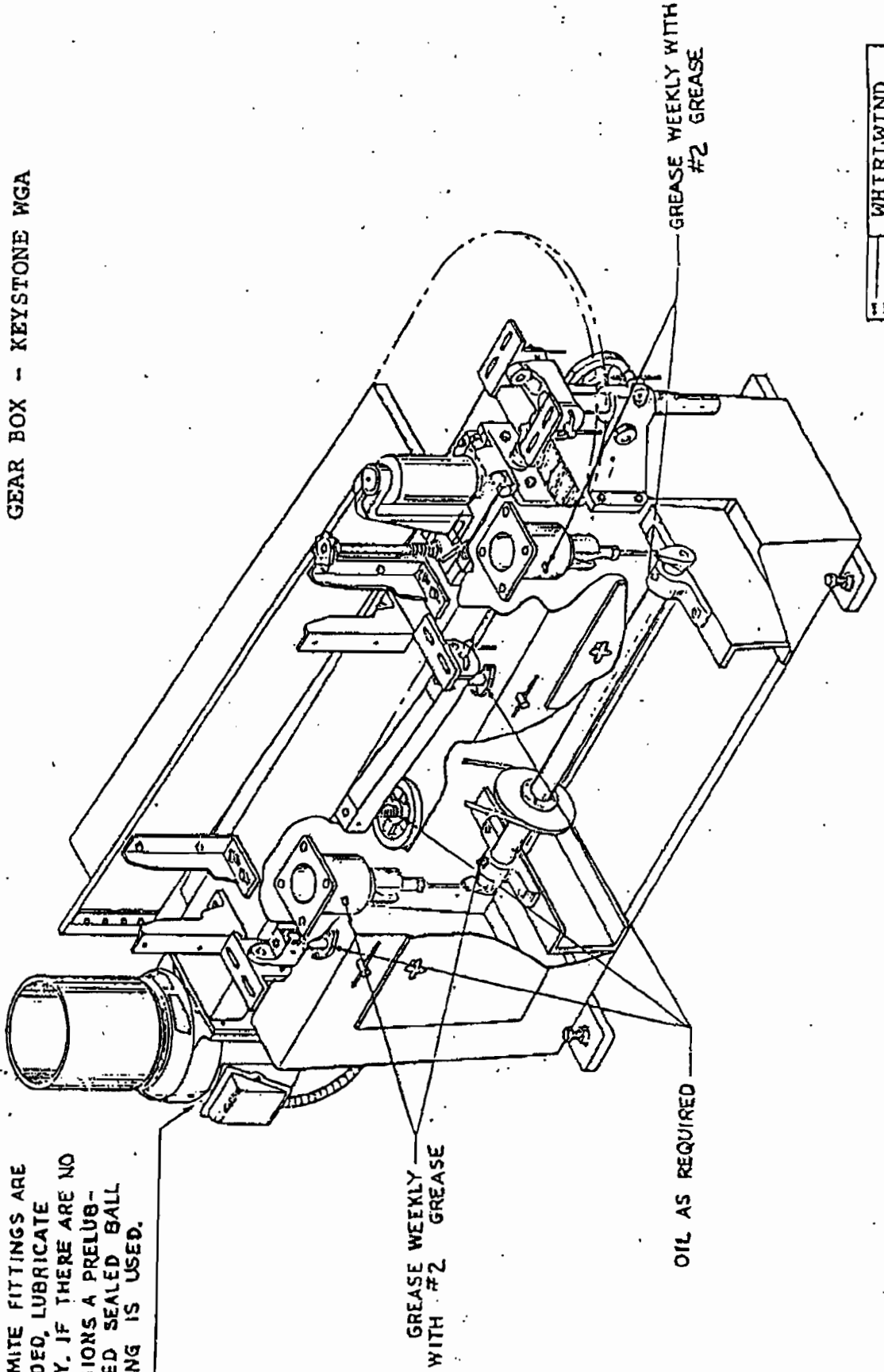
OSCILLATING &
 DRIVE ASSY'S
 MODEL 355 SANDER

SMB-63A REV. L

WIND

GEAR BOX -- KEYSTONE WGA

IF ALEMITE FITTINGS ARE PROVIDED, LUBRICATE YEARLY. IF THERE ARE NO PROVISIONS A PRELUBRICATED SEALED BALL BEARING IS USED.



WHIRLWIND
DWG. NO. S.M.B.-092
LUBRICATION
1/2